

# FOLDING SCAFFOLD

The Hünnebeck folding scaffold system is both a protective and working scaffold, supplied on site in complete and ready-to-use units.



At Work For You

**HÜNNEBECK** 

BY BRAND SAFWAY

Complete scaffold unit with boards and guardrails. Unfolded and secured on site and immediately ready for use.

## ► Product benefits

### Economical

Storage and transport-friendly units thanks to a stacking height of only 39 cm when folded

Ready-to-use units arrive on site pre-assembled and are quick and easy to set up

Withstands up to 2.00 kN/m<sup>2</sup> in combination with a 5.40 m high formwork and up to 6.00 kN/m<sup>2</sup> without formwork

### Easy handling

Easy-to-adapt lower platforms provide additional working level below main platforms for reworks

Integrated lowerable crane stirrups make it easy to transfer scaffold units and disappear once the platforms are in use

### Versatile

Extensive range of accessories for all-round solutions

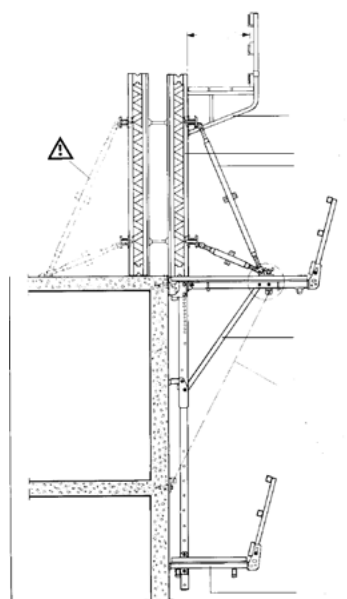
### Strong & durable

Made to last, all steel elements are galvanised and wooden elements are treated

### Safe

EN 12811 | Scaffold class 3

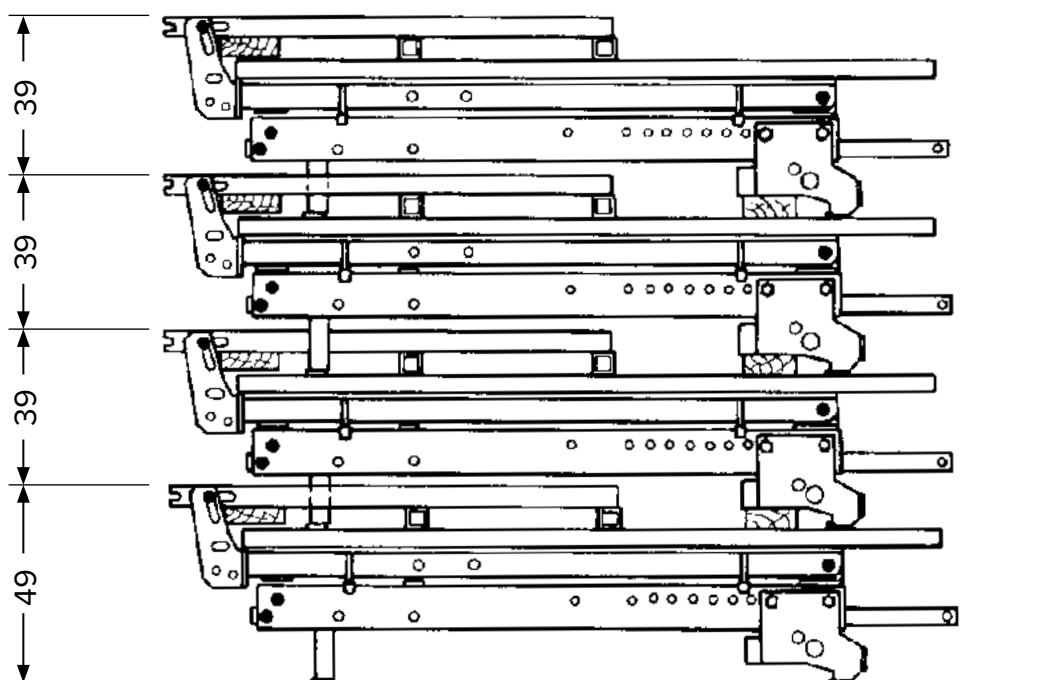
Extra room for manoeuvring with the angled guardrail



► Application of KG lower platforms creates a supplementary working level for reworking

## ► Technical data

Product description	Folding scaffold
Material	Steel (brackets)
Unit types	Folding scaffold 300   450   Corner folding scaffold R and L
Platform dimensions	Folding scaffold 300: length = 3.00 m   width = 1.80 m Folding scaffold 450: length = 4.50 m   width = 1.80 m Corner folding scaffold R and L: length = 2.50 m   width = 1.80 m
Trailing platforms	KG lower platform 300   KG lower platform 450
Platform connections	KG lower platform connected via KG suspension bar and two bolts
Other connections	Easy setting with bolts and spring pins
Side protection	Guardrails are pre-assembled
Railing heights	1.00 m
Load capacity	Main platform = up to 2.0 kN/m <sup>2</sup> Lower platform = up to 1.5 kN/m <sup>2</sup>
Corrosion protection	Fully galvanised steel components
Relevant standards	EN 12811   Scaffold classes 3 – 6 possible



▲ The folding scaffold comes in collapsible sections for practical storage & handling. The stacking height is only 39 cm when folded, the lowest element requires an additional 10 cm. This saves money – 70 running metres of folding scaffold can be transported on a truck trailer.





► Withstands up to 2.00 kN/m<sup>2</sup> in combination with a 5.40 m high formwork and up to 6.00 kN/m<sup>2</sup> without formwork



► By using the KG bearer bars and KG suspension bars, large wall openings are easily overcome

## Application & use

- Working scaffold
- Safety scaffold