

BOSTA[®] 70

BOSTA 70 is a steel frame scaffold system in load class 3, which is well suited for roofs or walls, painting or facade cladding projects, on interiors or exteriors.



At Work For You

HÜNNEBECK 

BY BRAND SAFWAY

BOSTA is quick to set up and dismantle, very robust and safe in every respect. Practical measurements make BOSTA 70 a highly versatile scaffold system.

► Product benefits

Versatile

Simple calculation and great combination possibilities due to the practical measurements and smooth system dimensions

Highly versatile due to few basic components and an extensive accessories program

BOSTA 70 vertical frames also available in lightweight aluminium version

Safe

Safe and inevitably plumb-vertical erection already after assembly of the first bay

Aluminium passage plank equipped with an integrated ladder for safe ascent

Railing post MGR for safe erection of scaffolds at the top level

Strong & durable

Robust and durable system parts as a result of the complete hot-dip galvanisation

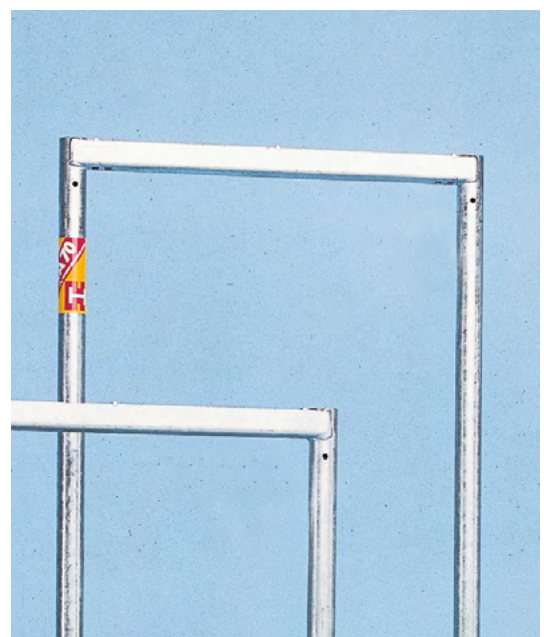
Easy handling

Easy connections with no need for tools due to gravity pins

Fast and easy one-man assembly without tools due to manual connection technology



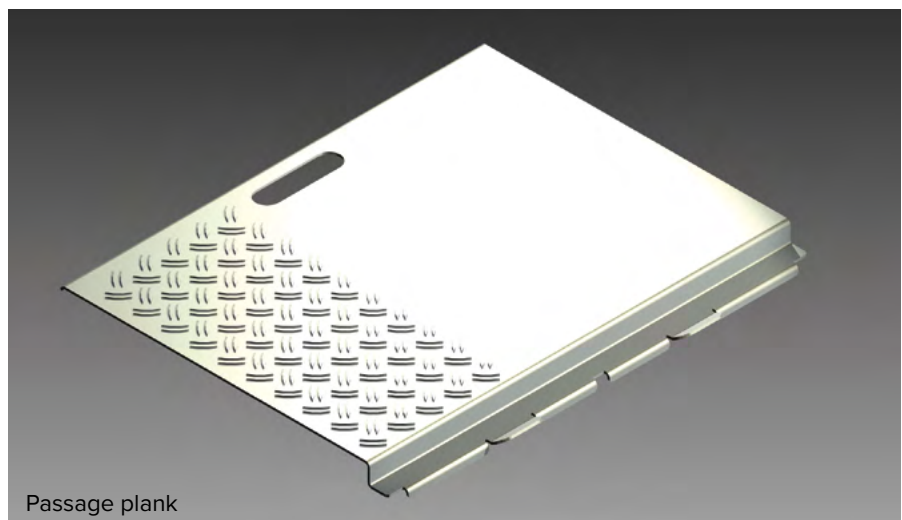
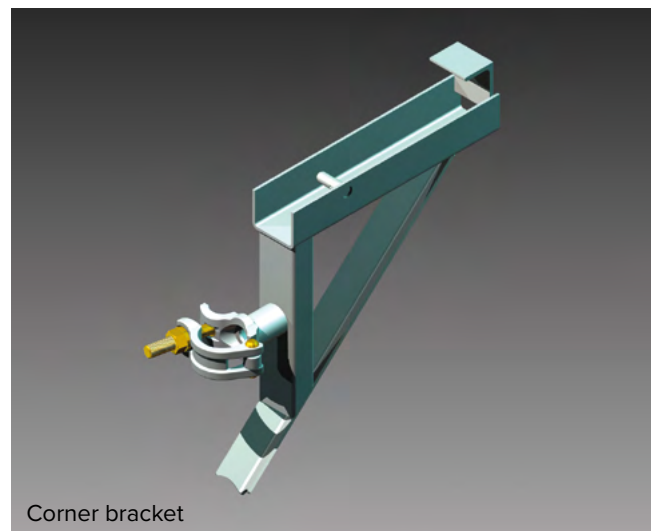
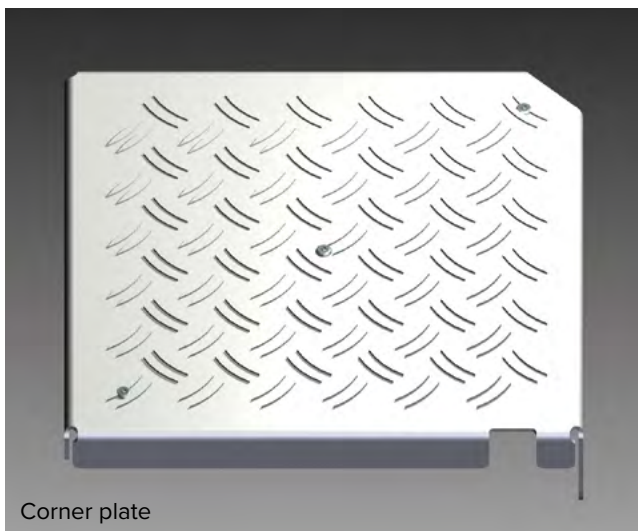
► Safe and inevitably plumb-vertical erection already after assembly of the first bay



► Robust and durable system parts as a result of the complete hot-dip galvanisation

► Technical data

Product description	Steel frame scaffolding
Frame heights	66 100 150 200 cm
Frame widths	74 cm
Bay lengths	74 125 150 200 250 300 400 cm
Load class	LC 3 according to approval, up to LC 6 possible
Corrosion protection	Hot-dip galvanisation
Plank types	Hollow box plank Steel plank Alu frame deck Alu ladder passage deck (with or without ladder)
Vertical frame weight	200/70 = 19.3 kg
Relevant standards	Complies with EN 12810 EN 12811, Pt. 1 Approval from DIBt (German approval and assessment body for regulatory questions related to construction products and construction techniques.)
Erection/dismantling times	$t = 0.06 - 0.10 \text{ h/m}^2$ * $0.04 - 0.07 \text{ h/m}^2$ *

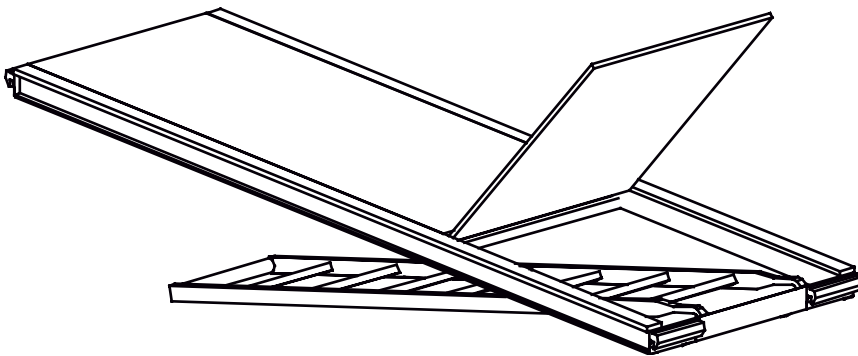


Get to know our BOSTA accessories for even more safety. ▲

* Time calculation (average) by Hünnebeck



► BOSTA 70 is compatible with MODEX. Here it is used in combination to form a star-shaped corset that was used to deflect loads.



► Aluminium passage plank, equipped with an integrated ladder for safe ascent

Application & use

- › Working scaffold
- › Safety scaffold
- › Mobile scaffold
- › Facade scaffold
- › Reinforcement scaffold
- › Staircase

BOSTA® 70 integrates with

- › MODEX® scaffolding