

Safety systems

# PROTECTO®

Modular, ultramodern fall protection  
for a safe work environment

- › Technical data
- › Product advantages – Work safely
- › Product advantages – Work productively
- › Components
- › Application & use
- › Engineering-Services

BrandSafway  
direct.com



Shop Smart Online.  
Worldwide. 24/7.



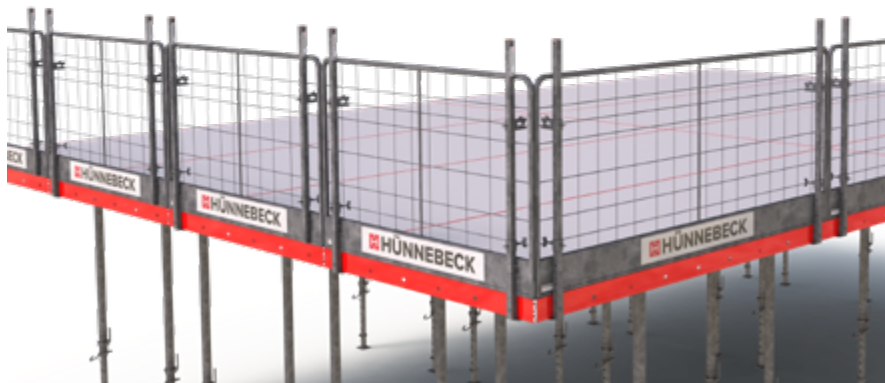
more safety  
more productivity

**HÜNNEBECK**  
FORMWORK SOLUTIONS  
BY BRAND SAFWAY

# PROTECTO®

## Technical data

Particularly quick and intuitive assembly with the new height-adjustable Protecto Post 130 and the ergonomic mesh panel. The system meets the requirements of EN 13374:2013 class A.



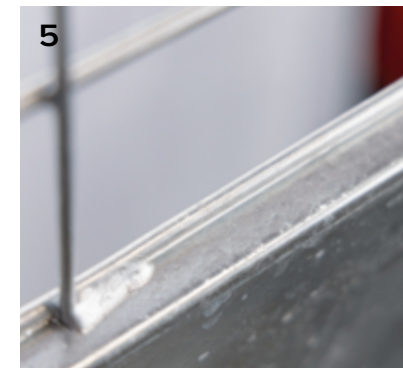
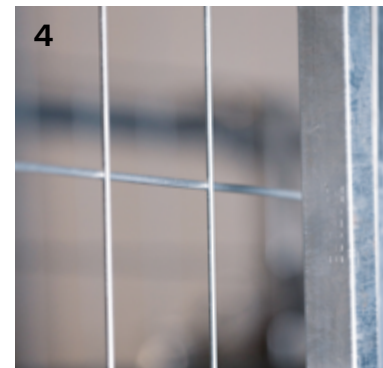
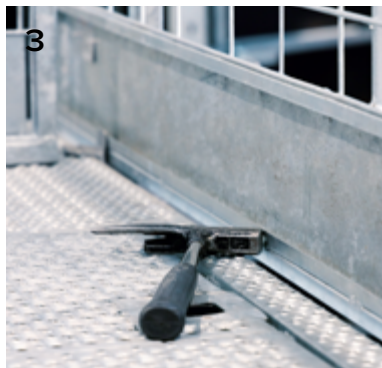
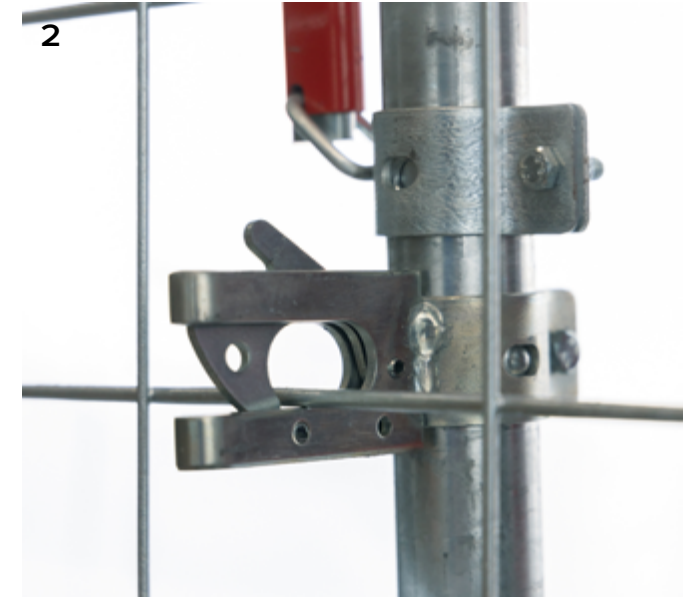
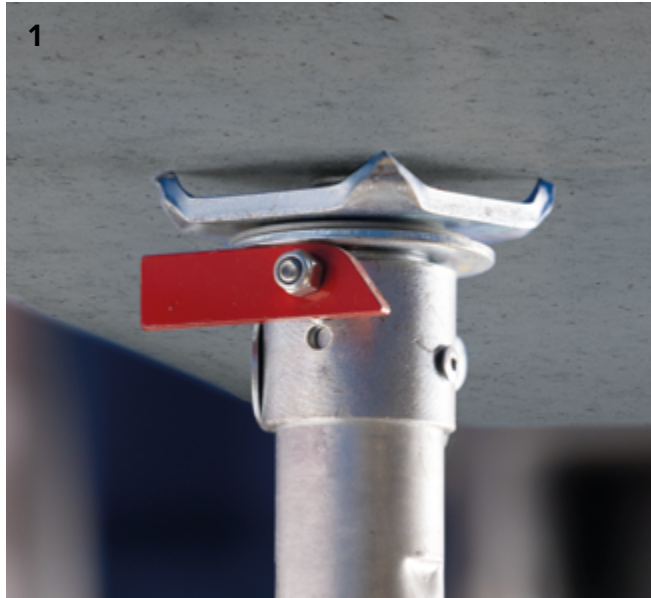
Product description	Temporary edge protection
<b>Posts</b>	PROTECTO railing post 120 cm high (square tube) PROTECTO Post Adjustable, height 130 cm Compression post 200 – 430 cm
<b>Base attachment via</b>	Screw base joint   Staircase bracket   Beam section clamp   Timber beam connector   Post holder vari   Front attachment   Multiple clamp   Screw-on holder   Sheet pile clamp
<b>Guardrail types</b>	PROTECTO protective grating   Plank railings
<b>Toe board attachment</b>	PROTECTO toe board retainer
<b>Corrosion protection</b>	Hot-dip galvanization
<b>Average weight</b>	6.00 – 8.00 kg/running meter
<b>Relevant standards</b>	Complies with EN 13374 – Class A
<b>Maximum post distance</b>	2.00 m using planks   2.70 m using protective grating
<b>Mesh panel width</b>	120   180   240   270 cm
<b>Erection/dismantling times</b>	Approx. 2 m/min; time calculation (average) by Hünnebeck
<b>Special features</b>	<ul style="list-style-type: none"> <li>• Fast, versatile and easy assembly</li> <li>• Integrated safety pin secures the post firmly to base</li> <li>• Height adjustment with post extension 26 and 42</li> </ul>

more safety  
more productivity

# PROTECTO<sup>®</sup>

## Work safely

- › Post with tension indicator for safe assembly (1)
- › Lift-off retainers offer additional protection (2)
- › Protective Mesh Panels with integrated toe board (3)
- › Greatest possible mesh size facilitates easy handling in the work area (4)
- › PROTECTO Fixing Device For Clamp
- › Hot-dip galvanisation for durable, long-lasting components (5)
- › Both panels and plank railings can be used
- › All components manufactured to comply with DIN EN 13374 – class A, in parts also class B



**more safety**  
**more productivity**

**HÜNNEBECK**   
FORMWORK SOLUTIONS  
BY BRAND SAFWAY

# PROTECTO<sup>®</sup>

## Work productively

- › Versatile, sturdy modular system with only a few basic components (1)
- › Almost tool-free assembly (2)
- › Lightweight, ergonomic components facilitate quick assembly (3)
- › Lateral transport with Hünnebeck Euro Trolley means no crane required
- › Greatest possible utilisation rate due to compatibility with other Hünnebeck systems



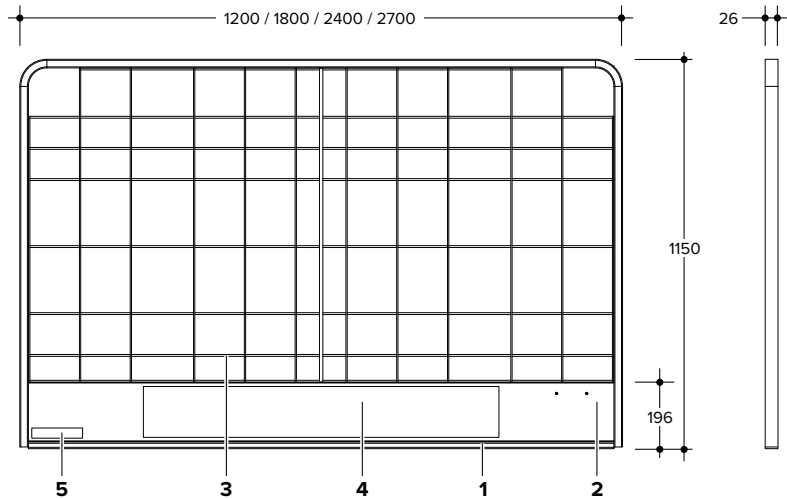
more safety  
more productivity

# PROTECTO<sup>®</sup>

## Components

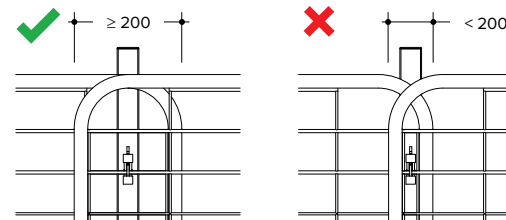
### Panels and posts

The PROTECTO Panel G2 can be used for edge protection on both wet deck and dry deck applications. The PROTECTO Panel G2 is to be used with the PROTECTO posts and depending on the application the required ancillary components will vary.



- 1 Steel frame
- 2 Steel toeboard
- 3 Steel wire Ø5.5 mm (horizontal) Ø3.75 mm (vertical)
- 4 Centre sticker (company branding)
- 5 Small sticker (item information)

The minimum required panel overlap is 200 mm as shown below.



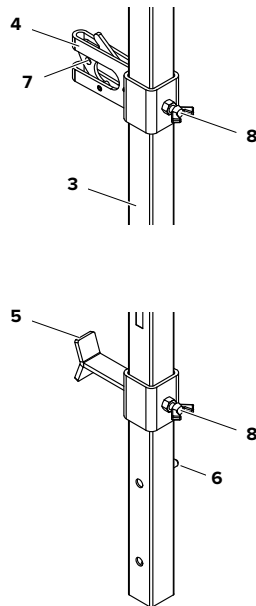
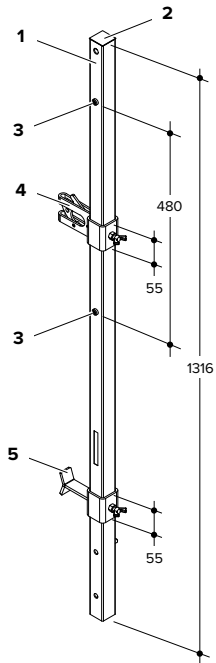
**more safety**  
**more productivity**

# PROTECTO<sup>®</sup>

## Components

### PROTECTO Post 130 Adjustable

The PROTECTO Post 130 Adjustable (code:692750) provides support for the PROTECTO Panels G2. The post has a cross-section of 35 x 35 mm which allows the PROTECTO Post 130 Adjustable (code:692750) to be used with the ancillaries of the PROTECTO Railing Post (code:601225).

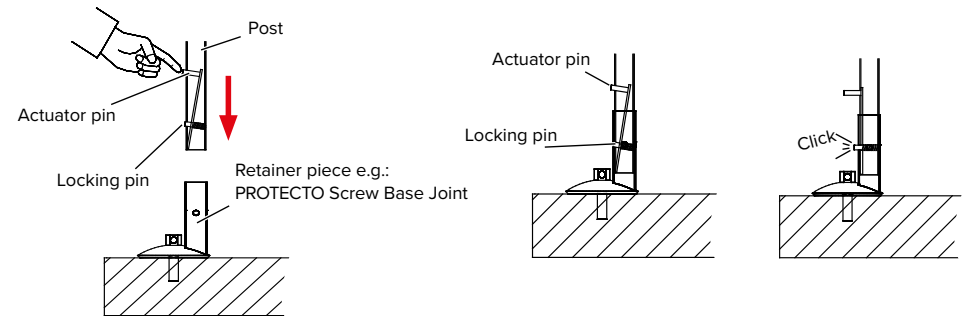


- 1 SHS 35 x 35 x 2 mm
- 2 Plastic cap
- 3 Tapping screw as Ø12 mm stopper
- 4 Sliding latch
- 5 Sliding T latch
- 6 Safety device (not visible) – see page 23
- 7 Ø8 mm hole for plastic zip tie
- 8 Captive hexagonal nut and wing nut

### Safety device

The safety device is used to prevent accidental displacement of the PROTECTO posts. Both the PROTECTO Post 130 Adjustable (code:692750) and the PROTECTO Railing Post (code:601225) have a safety device.

To correctly install the PROTECTO posts, insert the post into the retainer and press the actuator pin of the safety lock. The locking pin retracts inside the post and the post can be inserted into the retainer. When the locking pin is inside the retainer piece, release the actuator pin. Insert the post into the retainer until the spring mechanism can be heard and seen as fully locked. Test the proper seating of the post by pulling and inspect visually the correct engagement of the locking pin.



# PROTECTO®

On the following pages you will find excerpts from our user manuals.  
The complete instructions are available at [www.huenebeck.com](http://www.huenebeck.com).

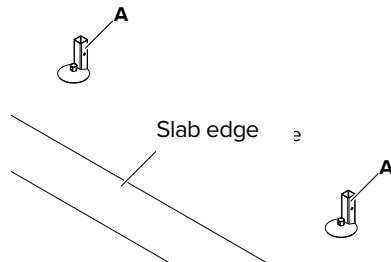
## Application & use

### Slabs with PROTECTO Screw Base Joint

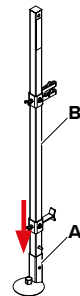
Edge protection can be installed on horizontal concrete slabs by using a PROTECTO Screw Base Joint (code:601228) using the integrated M16 screw to secure to an embedded dowel with internal thread. When using HILTI Drop-in anchor HKD M16 or Fischer ED II M16 hammer-set anchors as anchors in uncracked concrete slabs of C20/25 quality (previously B25), the anchor loads have already been proven according to the example below. Equivalent drop-in anchors/hammer-set anchors from other manufacturers may be used. The requirements of the dowel approval must be kept. Distance to edges and floor thickness must be taken from the approval of the dowel.

### Typical assembly

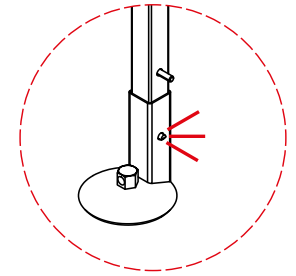
**Step 1** Install the PROTECTO Screw Base Joints (A) at the pre-determined centres.



**Step 2** Insert the PROTECTO Post 130 Adjustable (B) into the PROTECTO Screw Base Joint (A).

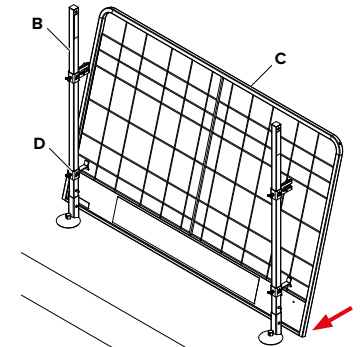


The PROTECTO Post 130 Adjustable is secure when the locking pin is located in the pin hole of the PROTECTO Screw Base Joint. A “click” sound is produced when the pin springs out of the hole.

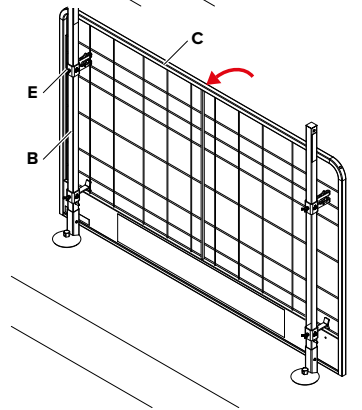


**Step 3** Repeat step 2 for the other post position.

**Step 4** Position the PROTECTO Panel G2 (C) at an angle, with the bottom part closest to the PROTECTO Post 130 Adjustable (B). Locate the bottom wire of the PROTECTO Panel G2 (C) on the top face of the PROTECTO Post 130 Adjustable T Latch (D). The T Latch (D) may require its position to be adjusted using the captive thumb screw.



**Step 5** Rotate the top of the PROTECTO Panel G2 (C) towards the PROTECTO Post 130 Adjustable (B) so that the latches (E) capture the PROTECTO Panel G2 mesh. The PROTECTO Post latch (E) may require its position to be adjusted using the captive thumb screw.



# PROTECTO<sup>®</sup>

## Engineering-Services

### Phase 1

**We analyse the situation.**



### Phase 2

**We develop the technical drawings and supply the required quantity list.**



We can design the most complex projects on your behalf quickly and thoroughly. Starting with the ground plan and facade dimensions, we produce the required structural drawings, determine the precise quantities of materials and supply all the required quantity lists.

We help in finding the right safety and access solution. Transparency, flexibility, cost-effectiveness and safety are a matter of course for us and an integral part of our corporate philosophy.

Whatever it takes! We assist you throughout complex construction projects including the engineering of one-off structures. Our mission at all times is to protect you from any unnecessary risks and help you arrive at the best-possible results in every respect.

### Phase 3

**We plan and implement the realisation.**



### Phase 4

**We assist with project finalisation.**



### Application & use

- › Slab formwork
- › Climbing formwork
- › Staircases
- › Bracket scaffolds
- › Concrete slabs and walls

### PROTECTO<sup>®</sup> integrates with

- › TOPMAX<sup>®</sup>
- › TOPEC<sup>®</sup>
- › TOPFLEX<sup>®</sup>
- › INFRA-KIT
- › H 20 timber beams
- › R 24 timber beams
- › Steel beams

If you would like to find out more, take a look at our **Video**.

**more safety**  
**more productivity**

> best in class safety performance

Why BrandSafway?

## Unique combination of expertise & resources

We are part of **BrandSafway**, a leading global provider of access, specialised services and forming & shoring solutions to the industrial, commercial and infrastructure end markets. With more than 340 branches all over the world, we provide support for ongoing maintenance as well as for refurbishment needs and new construction plans.

**As one strong team, we support our customers:**

- > **Brand Energy & Infrastructure Services** is one of the world's largest industrial services specialists;
- > **Brand Access Solutions** is the UK's largest full-service provider of scaffolding and access systems;
- > **Hünnebeck** stands for safe and highly efficient formwork, scaffolding and safety technology.

> specialty team of ~40,000 People

> 30,000+ customers ... and growing

> ~340 locations in 25 Countries

> revenues of nearly ~\$5b

> assets & equipment worth ~\$4.2b

[More about BrandSafway](#)



## Contact

**Europe Hünnebeck Austria GmbH**  
 Royerstraße 2  
 2482 Münchendorf  
 +43 2259 93080  
[www.huennebeck.com/at](http://www.huennebeck.com/at)

**Hünnebeck Deutschland GmbH**  
 Rehhecke 80  
 40885 Ratingen  
 +49 2102 9371  
[www.huennebeck.com/de](http://www.huennebeck.com/de)

**Hünnebeck v Česká republika**  
 Karolinská 661/4  
 186 00 Praha 8  
 +420 737 715 140  
[www.huennebeck.com/cz](http://www.huennebeck.com/cz)

**Hünnebeck in Luxembourg**  
 53, Rue Romain Fandel  
 4149 Schifflange  
 +352 265759  
[www.brandfrance.fr](http://www.brandfrance.fr)

**Hünnebeck in France**  
 Allée de Fétan 256  
 BP 130 01601 Trévoux  
 +33 4740 89050  
[www.huennebeck.com/fr](http://www.huennebeck.com/fr)

**Hünnebeck Italia S.p.A.**  
 Via Isonzo, 9  
 22078 Turate (Como)  
 +39 2 969731  
[www.huennebeck.com/it](http://www.huennebeck.com/it)

**Hünnebeck Netherlands**  
 Vlietskade 1019  
 4241 WE Arkel, ZH  
 +31 183 569 696  
[www.huennebeck.com/nl](http://www.huennebeck.com/nl)

**Hünnebeck Polska Sp. z o.o.**  
 Łubna 55  
 05-532 Baniocza  
 +48 22 2312300  
[www.huennebeck.com/pl](http://www.huennebeck.com/pl)

**Hünnebeck România SRL**  
 Strada Principala nr. 310  
 407145 Capusu Mare, jud.Cluj  
 +40 755 045568  
[www.huennebeck.com/ro](http://www.huennebeck.com/ro)

**Hünnebeck in the UK**  
 Rush Lane, Dosthill  
 Tamworth, West Midlands, B77 1LT  
 +44 1827 289955  
[www.huennebeck.com](http://www.huennebeck.com)

**Contact for Hünnebeck products in North America** **BrandSafway**  
 Global Corporate Headquarters  
 600 Galleria Parkway SE, Suite 1100  
 Atlanta, GA 30339, USA  
 +1 800 558-4772  
[www.brandsafway.com](http://www.brandsafway.com)

**Latin and South America Hünnebeck Chile**  
 Volcán Lascar Poniente 792,  
 Parque Industrial Lo Boza, Pudahuel  
 Santiago, 9030922  
 +56 2 2585 4450  
[www.huennebeck.com/es](http://www.huennebeck.com/es)

**Contact for Hünnebeck products in the Middle East, India and Asia** **BrandSafway**  
 Flat No. 107, H-AI Manama building,  
 Industrial Area  
 Dubai Sharjah 37656  
 United Arab Emirates  
 +971 48132000  
[www.brandsafway.com](http://www.brandsafway.com)

**Export** Rehhecke 80  
 40885 Ratingen  
 +49 157 80521302  
[www.brandsafwaydirect.com](http://www.brandsafwaydirect.com)

All the trademarks named in this brochure are the property of Brand Industrial Services, Inc., known as BrandSafway, unless marked as third-party rights or identifiable as such in another way. Aluma Systems, Brand, Brand Access Solutions, Hünnebeck, Mastclimbers, and SGB are trademarks of BrandSafway. Furthermore, all rights are reserved, particularly with regard to patent grant or utility model registration. The unauthorized use of these materials, of the trademarks contained therein and other intellectual property rights is expressly prohibited and represents an infringement of copyright, trademark rights and other industrial property rights.

The illustrations in this brochure depict actual site conditions which may not always conform with applicable safety rules and regulations.