

# ID 15*new*

ID 15*new* frame supports are one of the most frequently used shoring systems with a load capacity of up to 180 kN per tower.



At Work For You

**HÜNNEBECK** 

BY BRAND SAFWAY

ID 15 new frame supports are just right everywhere where high weight must be supported even with varying loads per leg, and even in confined spaces.

## ► Product benefits

### Strong & durable

High load capacity of 180 kN per tower even with small base dimensions (1.00 m x 1.00 m)

Long service life due to complete exterior and interior hot-dip galvanisation

### Safe

Safer working areas at even greater heights thanks to the new rungs, planks, and H 20 console

Diagonal rungs ensure a sound footing during vertical assembly and dismantling

### Easy handling

ID 15 planks are secured with integrated latches against uplift and accelerate vertical erection and dismantling

Easy connections of parts via quick-action fasteners

Horizontal and vertical erection and dismantling possible

### Quick

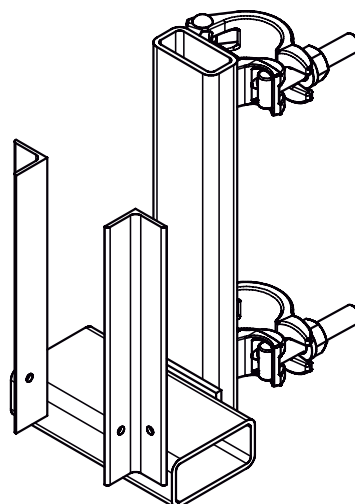
Time-saving handling due to the one-man assembly utilising integrated quick-action connector

### Economical

Required shoring heights are attainable using just six different lightweight components

Trusted and efficient shoring application for high loads in confined spaces

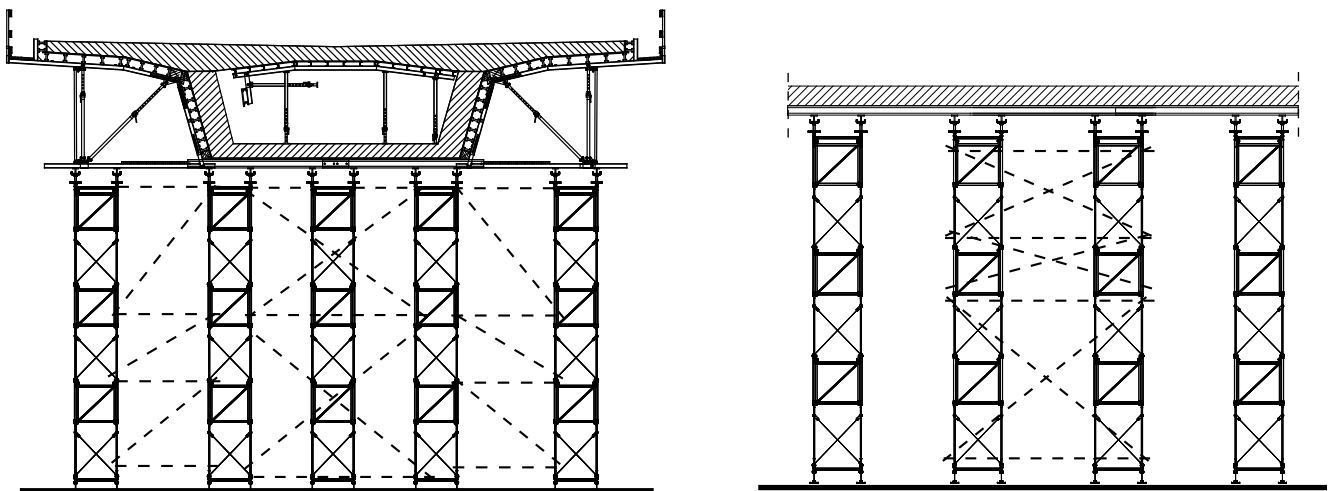
Basic shoring towers consist of just six basic components



► Special H 20 console allows the installation of safe working decks

## ► Technical data

Product description	ID 15new frame supports
Basic dimensions	100 x 100 cm
Frame heights	100   133 cm
Typical application heights	1.42 – 20.1 m
Type approval (min. to max.)	4.75 – 12.76 m (heights > 12.76 m with structural analysis)
Average weight	Approx. 42.0 kg/vertical metre
Relevant standards	Complies with DIN EN 12812
Max. load capacity:	180 kN per tower (45 kN per leg)
Connections	Integrated quick-action connectors   Couplings
Corrosion protection	Full hot-dip galvanisation
integrate with	H 20 timber beams   R 24 timber beams   Steel profiles   DuAl beams
Erection/dismantling times	Approx. 0.17 h/vertical meter (each) *   0.34 h/vertical meter (total) *
Special features	<ul style="list-style-type: none"> <li>• Horizontal and vertical erection and dismantling possible</li> <li>• Fast transfer of shoring towers with a crane</li> <li>• New diagonal rungs   Planks   H 20 console</li> </ul>



Bridge and slab construction are typical applications for ID 15new. Previous operational planning and preparations improve the quick and safe assembly of the ID 15new frame support.





▶ High load capacity of 180 kN per tower even with small base dimensions (1.00 m x 1.00 m)



▶ ID15new is fully compatible with the TOPFLEX slab formwork system

## Application & use

- ▶ Shoring system for high loads

**ID 15new** integrates with

- ▶ PROTECTO®
- ▶ TOPFLEX®