

# H 20 FLOOR TABLES

Based on the H 20 timber beam as both the primary and secondary beam, the H 20 floor tables arrive on site pre-assembled.



At Work For You

Buildings with intricate ground plans and different story heights are difficult to form. This is where our table forms are a recommendable solution with their high load-bearing ability.

## ► Product advantages H 20 floor tables

### Quick

Pre-assembled H 20 floor tables are delivered to job sites for immediate use

Quick and easy assembly of steel props due to convenient wedge connections

### Economical

Ready-to-use units with pre-assembled folding heads

Floor tables can form large-area slabs quickly and economically

### Easy handling

Provided with built-in table heads and hinged plate for easy fixing of steel props

Hinged plates allow props to fold up for better maneuvering in case of parapets

Using the H 20 crane hooks, the tables can be transferred safely with ease

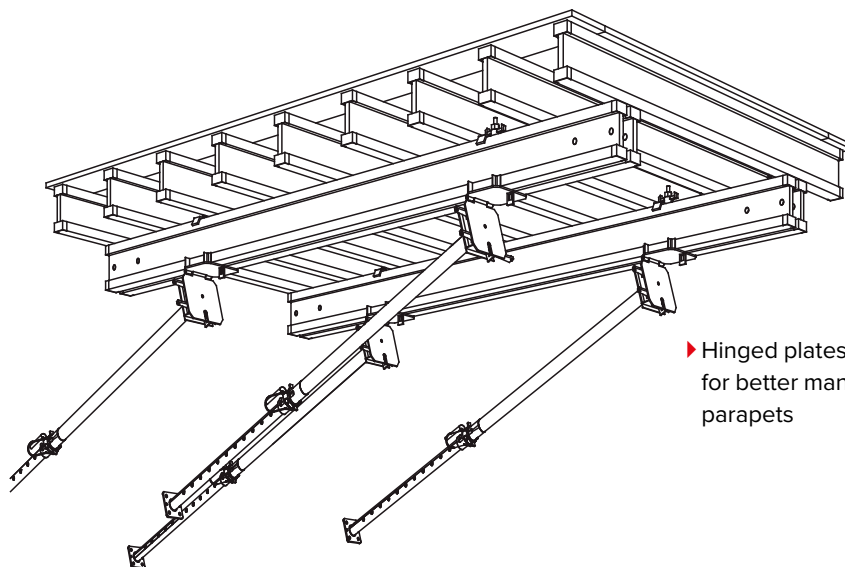
### Safe

Compatibility with the PROTECTO edge protection system offers extra safety with guardrailing (multiple clamps, posts, etc.)

Props are easily and safely installed by simply hammering in the steel wedges

### Versatile

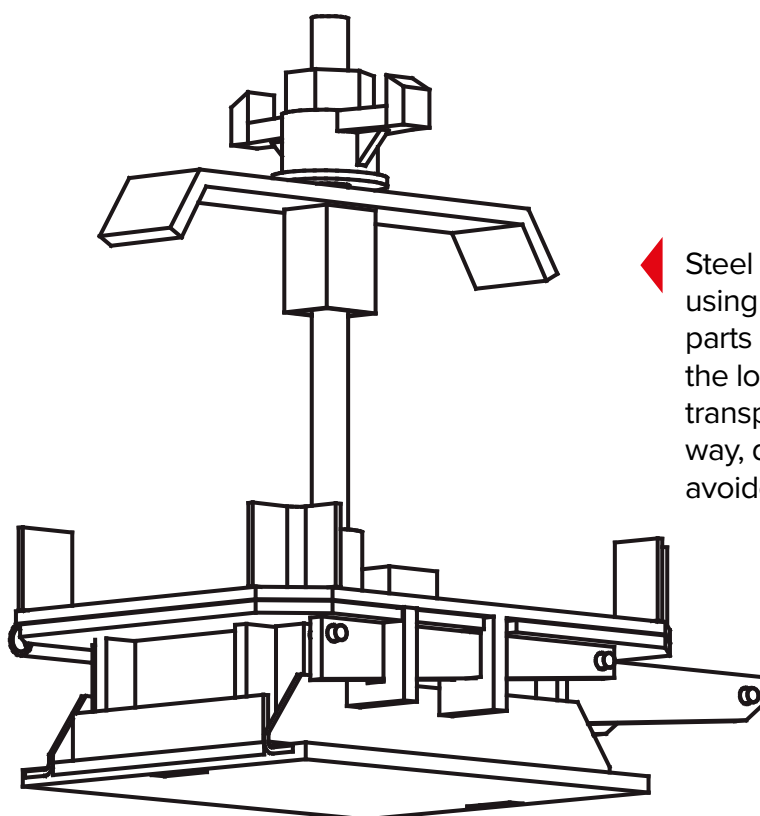
Together with the 21 mm thick plywood form lining, H 20 floor tables can form slabs up to a thickness of 45 cm



► Hinged plates allow props to fold up for better maneuvering in case of parapets

## ► Technical specifications H 20 floor tables

| Product description  | H 20 floor tables for slabs   |
|----------------------|---|
| Material             | H 20 timber beams   Double primary & single secondary beams                 |
| Table sizes          | 2.50 x 4.00 m (10.00 m <sup>2</sup> )   2.50 x 5.00 (12.50 m <sup>2</sup> ) |
| Table height         | Approx. 50 cm (including table heads)                                       |
| Form lining          | Plywood   21 mm thickness   |
| Table weight         | 2.50 x 4.00 = 345 kg   2.50 x 5.00 = 417 kg (without props)                 |
| Max. slab thickness  | Up to 45 cm (2.50 x 4.00)   Up to 35 cm (2.50 x 5.00)                       |
| Usable props         | EUROPLUS 20 kN   EUROPLUS <sup>new</sup> 30 kN                              |
| Connections of props | Using HT-table head   |
| Relevant standards   | DIN 18202 (line 5, 6)   |
| Areas of application | Large-area slabs  |



◀ Steel props are mounted to the table by using the HT-table heads. All connecting parts are integrated. A plastic cap arrests the locking steel wedges during transportation without steel props. In this way, damage to the plywood sheet is avoided when stacking the floor tables.





► Compatibility with the PROTECTO edge protection system offers extra safety with guardrailing (multiple clamps, posts, etc.)



► Together with the 21 mm thick plywood form lining, H 20 floor tables can form slabs up to a thickness of 45 cm